

# DIANA

**DIANA** wood burning stove is one of most popular TIM SISTEM products.

It provides optimal and economic heating with high energy efficiency and minimal wood consumption.

It is easy to handle and easily portable.  
Top plate and fire box are made of cast iron and firebox is made of vermiculite combined with cast iron grate.

**DIANA** is available both in ceramic and metal sheet tiles version.



EN 13240:2001

Width	Depth	Height
390 mm	435 mm	785 mm



Ceramic tiles on DIANA stove are available in following colors:



**tim sistem**

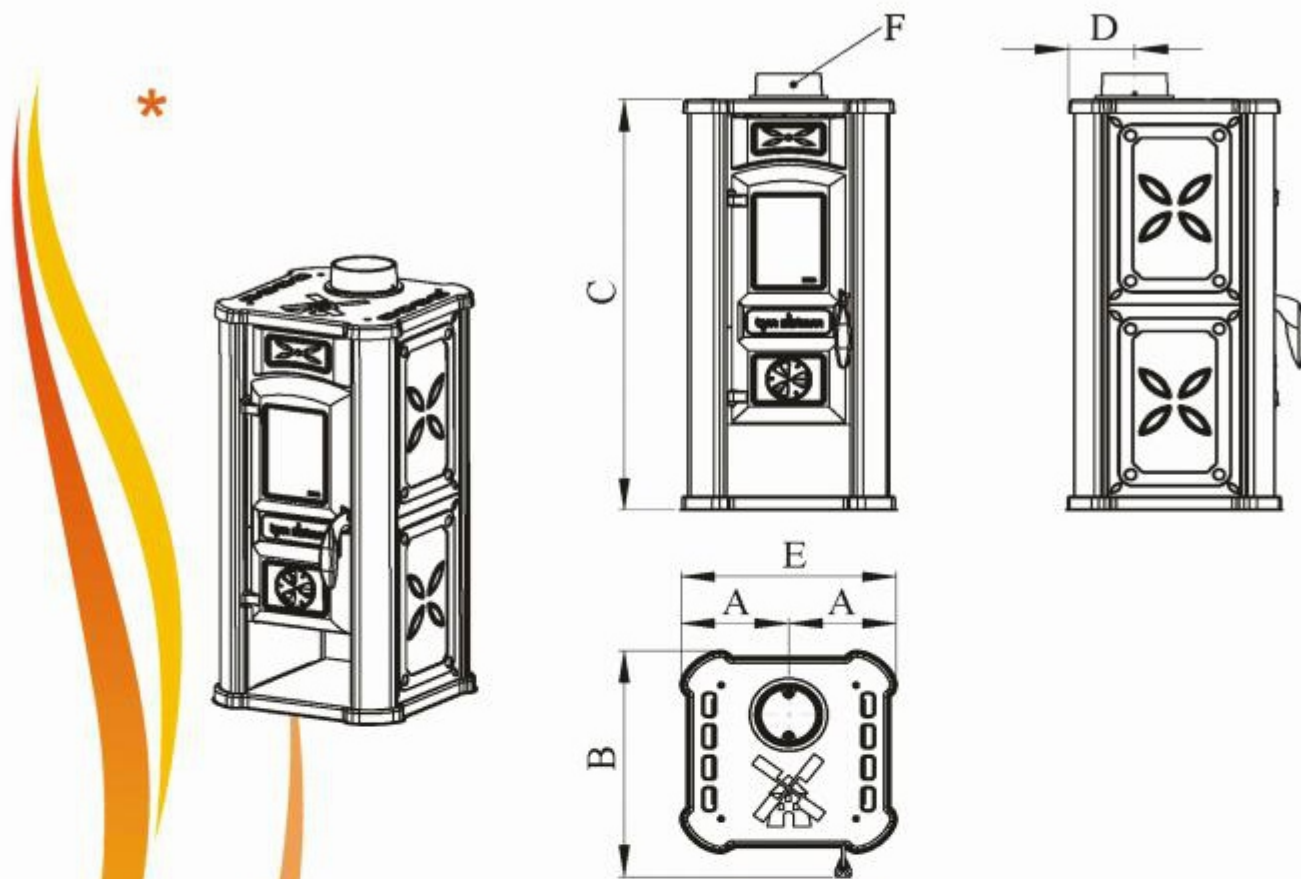
*Heat, save, preserve.*

# Tehnickal data

A	B	C	D	E	F
195 mm	435 mm	785 mm	120 mm	390 mm	Ø 120



EN 13240:2001



Dimensions (W x D x H)	mm	390 x 435 x 785
Fire box dimensions (W x D x H)	mm	200 x 250 x 360
Nominal thermal output	KW	10
Appliance efficiency	%	89
Exhaust diameter	mm	Ø 120
Fuel type		wood, wood briquettes
Temperature of the gases	°C	108
Dust content of exhaust gases	mg/m <sup>3</sup>	D=68
CO (13%O <sub>2</sub> )	%	0,0808
Net weight	kg	56,00
Brutto weight	kg	57,00

\* The drawing shows DIANA stove with metal sheet tiles which are available in following colors:



calor de hogar

Av. Tecnológico 735, Metepec Edo. de México 52140

Tel. (722) 216 3330 Cd de México: (55) 1163 6038

www.calordehogar.com

ventas@calordehogar.com